



SOUNDWELL®

http://soundwell-cn.com

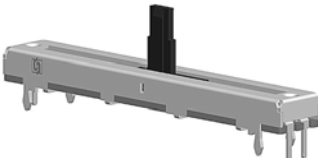
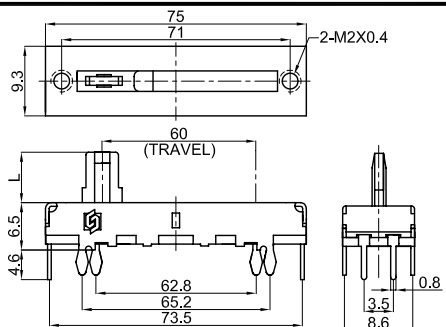
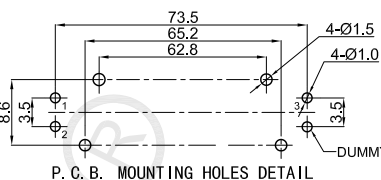

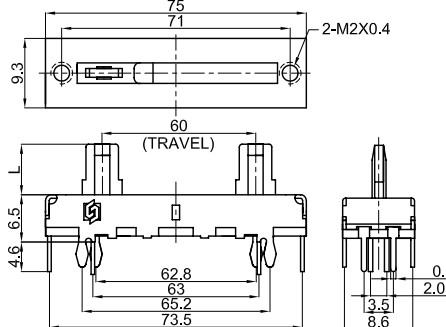
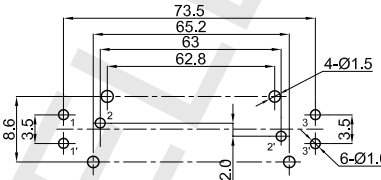

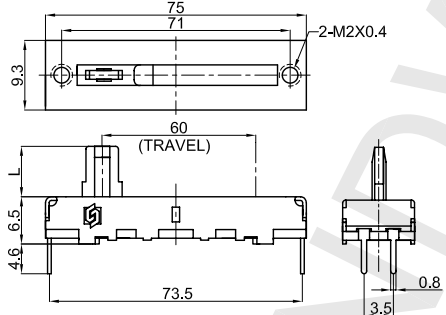
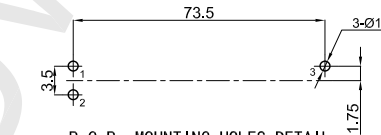

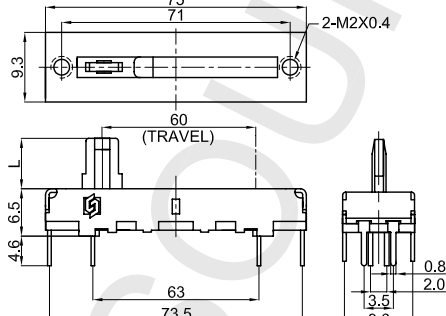
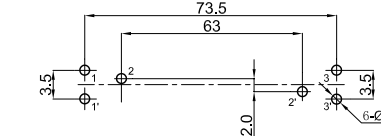
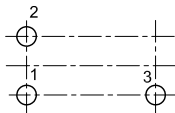
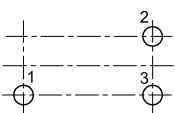
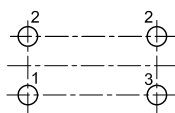
# 60mm Travel Series POTENTIOMETER



企业微信，扫码有惊喜



升威官网，发现更多产品

MODEL 品名	DIMENSIONS 尺寸	UNIT:mm												
<p>SC6005NOB <span style="border: 1px solid black; padding: 0 2px;">Z</span>X-HA1</p> 		 <p>P. C. B. MOUNTING HOLES DETAIL</p> <p><span style="border: 1px solid black; padding: 0 2px;">Z</span>=0/1/3 (Refer to below)</p> <table border="1" data-bbox="1300 660 1460 683"> <tr> <td>L</td> <td>5</td> <td>10</td> <td>15</td> </tr> </table>	L	5	10	15								
L	5	10	15											
<p>SC6005GOB0X-HA1</p> 		 <p>P. C. B. MOUNTING HOLES DETAIL</p> <p><span style="border: 1px solid black; padding: 0 2px;">Z</span>=0/1/3 (Refer to below)</p> <table border="1" data-bbox="1300 1008 1460 1030"> <tr> <td>L</td> <td>5</td> <td>10</td> <td>15</td> </tr> </table>	L	5	10	15								
L	5	10	15											
<p>SC6005NOA <span style="border: 1px solid black; padding: 0 2px;">Z</span>X-HA1</p> 		 <p>P. C. B. MOUNTING HOLES DETAIL</p> <p><span style="border: 1px solid black; padding: 0 2px;">Z</span>=0/1/3 (Refer to below)</p> <table border="1" data-bbox="1300 1355 1460 1377"> <tr> <td>L</td> <td>5</td> <td>10</td> <td>15</td> </tr> </table>	L	5	10	15								
L	5	10	15											
<p>SC6005GOA <span style="border: 1px solid black; padding: 0 2px;">Z</span>X-HA1</p> 		 <p>P. C. B. MOUNTING HOLES DETAIL</p> <p><span style="border: 1px solid black; padding: 0 2px;">Z</span>=0/1/3 (Refer to below)</p> <table border="1" data-bbox="1300 1702 1460 1724"> <tr> <td>L</td> <td>5</td> <td>10</td> <td>15</td> </tr> </table>	L	5	10	15								
L	5	10	15											
<b>P.C.B. MOUNTING HOLE DETAIL (FOR SC Series)</b>														
 <table border="1" data-bbox="287 2016 367 2060"> <tr> <td>Z</td> <td>CODE</td> </tr> <tr> <td></td> <td>0</td> </tr> </table>	Z	CODE		0	 <table border="1" data-bbox="750 2016 829 2060"> <tr> <td>Z</td> <td>CODE</td> </tr> <tr> <td></td> <td>1</td> </tr> </table>	Z	CODE		1	 <table border="1" data-bbox="1181 2016 1260 2060"> <tr> <td>Z</td> <td>CODE</td> </tr> <tr> <td></td> <td>3</td> </tr> </table>	Z	CODE		3
Z	CODE													
	0													
Z	CODE													
	1													
Z	CODE													
	3													